



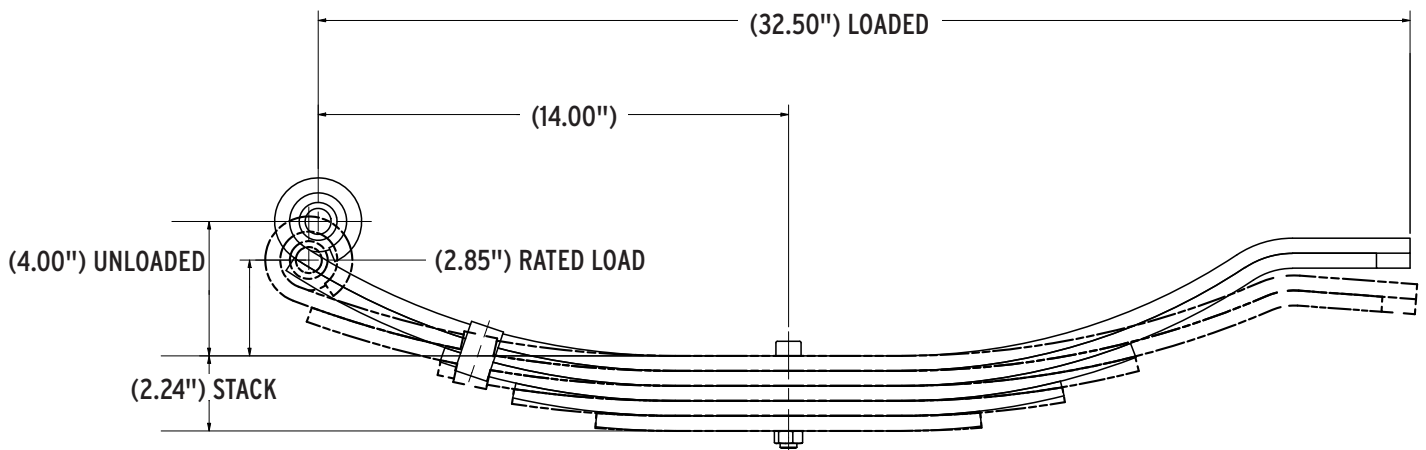
PRODUCT BULLETIN #529

5,000 LBS. DEXTER LEAF SPRING AVAILABLE FOR D100 AND D100G

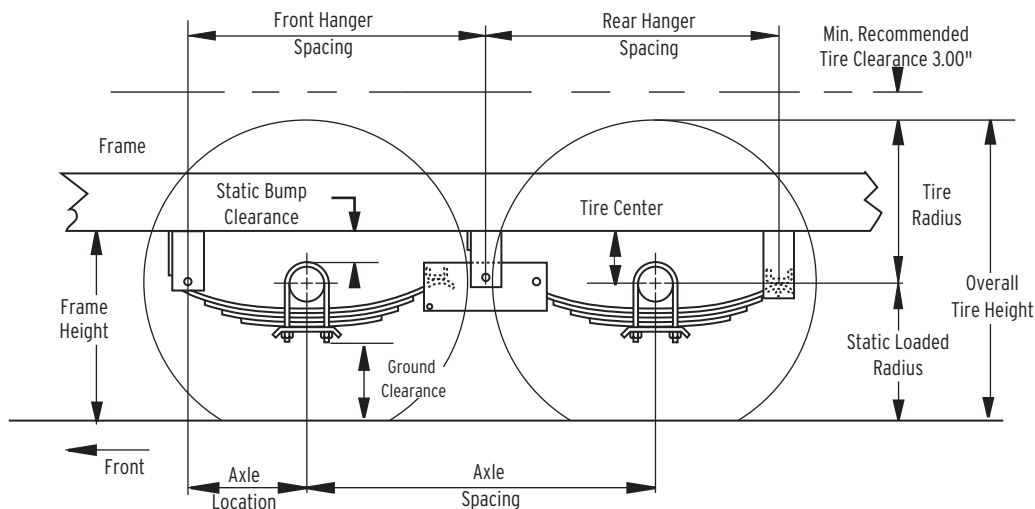
June 24, 2026

The 072-114-00 Dexter (formerly Rockwell American) 5-leaf 2 1/2" wide, 32.5" long 5,000 lbs. slipper spring is available for the D100 and D100G axle models. This provides an additional leaf spring option on completed axles. The 072-114-00 uses a longer 32.5" spring length, compared to the standard 30" leaf spring, to support the customer's requirement for an optional spring.

072-114-00 LEAF SPRING DIMENSIONS



TANDEM HANGER SPACING

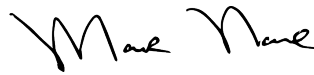


2-1/2" SINGLE AND TANDEM AXLE DIMENSIONS:

Kits listed are used to support the existing 2-1/2" leaf springs offered by Dexter, and the provided measurements represent the hanger and axle placements generated exclusively by the 32.5" long 5,000 lbs. slipper spring.

	10K SINGLE AXLE	10K TANDEM AXLES		
	HAP-158-00	HAP-258-01	HAP-258-02	HAP-258-03
FRONT HANGER SPACING	30.5"	36.1"	38.2"	41.4"
REAR HANGER SPACING	N/A	35.5"	37.7"	40.8"
STATIC BUMP CLEARANCE	1.9"	1.7"	1.7"	1.7"
TIRE CENTER	5.0"	4.8"	4.8"	4.8"
AXLE LOCATION	14.0"	14.0"	14.0"	14.0"
AXLE SPACING	N/A	38.0"	42.25"	48.5"

Please contact your Dexter account manager for additional information and further assistance.



Mark Nave
Product Manager