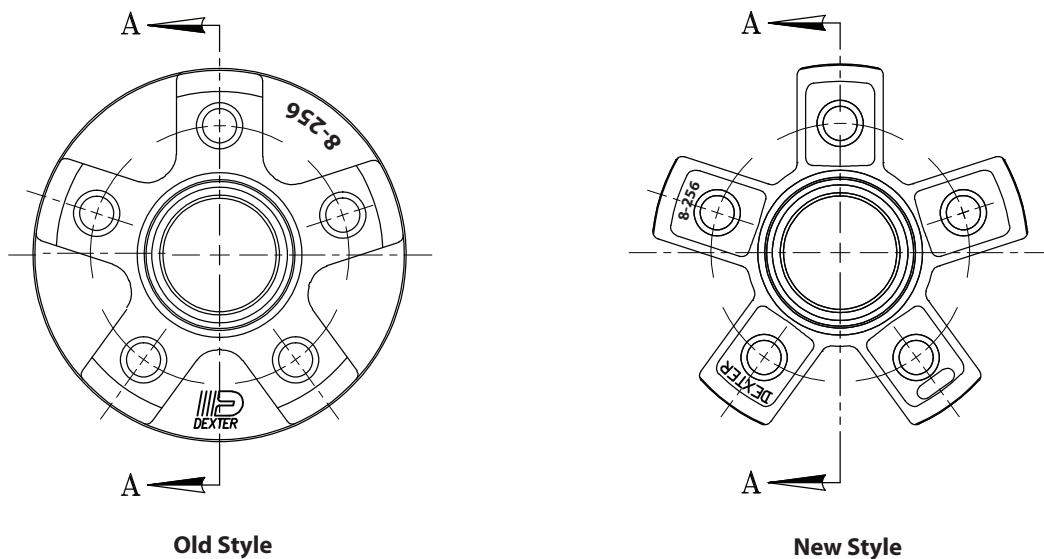


Date: July 20, 2009

Subject: Redesign of 008-256 Hub Series

In keeping with our continual commitment to product improvement and remaining competitive in the marketplace, Dexter Axle is pleased to announce the redesign of our 008-256 hub series (5 on 5.0" and 5 on 5.5" bolt circle) used on #10 Torflex and D35 idler axles. This is a cosmetic change only and will NOT affect the performance or functionality of the hub. This is being made as a running design change and will not result in a new part number. Dexter will begin supplying the new style hubs as existing inventory is depleted.

To identify old and new style hubs in your stock, please reference the images below.



Please contact your Dexter Sales Engineer with additional questions, ordering information, and product availability.

Rick Kapsa

Rick Kapsa
Product Manager