



BREEZE LED 360[®]

LED LIGHT & BATHROOM FAN

INSTALLATION AND SERVICE INSTRUCTIONS

V3302-50 & V3302-75 LIGHTED VENT FANS CEILING INSERT

⚠ CAUTION

FOR GENERAL VENTILATING USE ONLY. DO NOT USE TO EXHAUST HAZARDOUS OR EXPLOSIVE MATERIALS OR VAPORS.

DO NOT ALLOW DEBRIS TO ENTER THE FAN HOUSING OR DUCTWORK. MOTOR FAILURES ARE NOT SUBJECT TO WARRANTY COVERAGE.

⚠ WARNING

TO REDUCE THE RISK OF FIRE, ELECTRIC SHOCK, OR INJURY TO PERSONS, OBSERVE THE FOLLOWING:

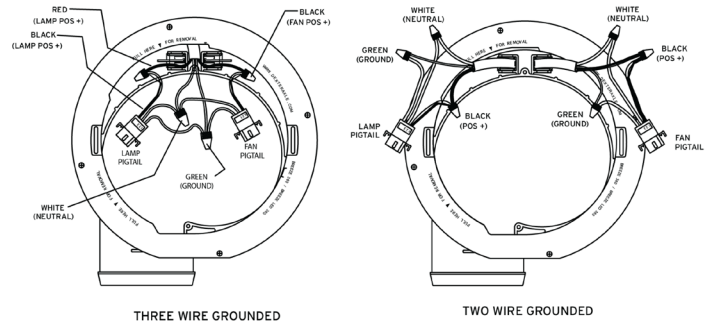
- DO NOT USE THIS FAN WITH ANY SOLID STATE SPEED CONTROL DEVICE.
- INSTALLATION WORK AND ELECTRICAL WIRING MUST BE DONE BY QUALIFIED PERSON(S) IN ACCORDANCE WITH ALL APPLICABLE CODES AND STANDARDS, INCLUDING FIRE RELATED CONSTRUCTION.
- SUFFICIENT AIR IS NEEDED FOR PROPER COMBUSTION AND EXHAUSTING OF GASES THROUGH THE FLUE (CHIMNEY) OF FUEL BURNING EQUIPMENT TO PREVENT BACK DRAFTING. FOLLOW THE HEATING EQUIPMENT MANUFACTURER'S GUIDELINES AND SAFETY STANDARDS SUCH AS THOSE PUBLISHED BY THE NATIONAL FIRE PROTECTION ASSOCIATION (NFPA), THE AMERICAN SOCIETY FOR HEATING, REFRIGERATION AND AIR CONDITIONING ENGINEERS (ASHRAE), AND LOCAL CODE AUTHORITIES.
- WHEN CUTTING OR DRILLING INTO WALLS OR CEILINGS, DO NOT DAMAGE ELECTRICAL WIRING AND OTHER HIDDEN UTILITIES.
- DUCTED FANS MUST ALWAYS BE VENTED TO THE OUTDOORS.
- IF THIS UNIT IS TO BE INSTALLED OVER A TUB OR SHOWER, IT MUST BE MARKED AS APPROPRIATE FOR THE APPLICATION AND BE CONNECTED TO A GFCI (GROUND FAULT CIRCUIT INTERRUPTER) PROTECTED BRANCH CIRCUIT.
- NEVER PLACE A SWITCH WHERE IT CAN BE REACHED FROM A TUB OR SHOWER.
- DO NOT INSTALL OVER COOKING AREA.
- USE THIS UNIT ONLY IN THE MANNER INTENDED BY THE MANUFACTURER. IF YOU HAVE QUESTIONS, CONTACT THE MANUFACTURER.

INSTALLATION

This fan is acceptable for ceiling installation over tub or shower **ONLY** when installed in a GFCI protected branch circuit.

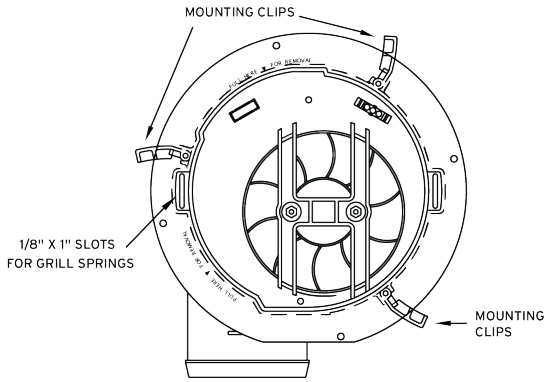
An optional drip loop may be provided to avoid condensation problems. Excessive dip loop will decrease C.F.M. output.

1. Locate ceiling joists, mark desired location between joists and cut a 8- 1/4" diameter rough opening in ceiling.
2. Remove motor plate from housing using the designated pull-tabs. Route electrical supply wiring into the fan wiring compartment through the integral strain reliefs or remove the round knockout and install cable clamp. Locate wiring pigtails supplied with fan and make all electrical connections in accordance with local and/or applicable codes.

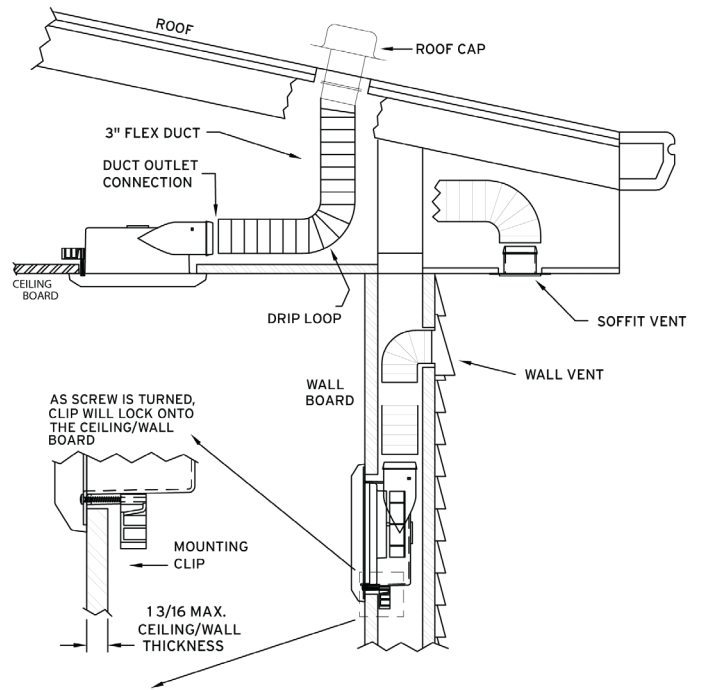


3. After wiring, install the pigtail connectors into their designated slots located in the motor plate by bending the ears back and snapping into opening. Tuck wiring down into wiring compartment to prevent the motor plate from pinching the wiring. Insert motor plate back into housing until it is securely snapped into place.
4. Determine location of roof vent or soffit vent and cut appropriate mounting hole as per the vent installation instructions.
5. Attach a 3" diameter flexible ductwork to the fan without penetrating fan housing with fasteners and insert the ductwork and fan through the rough opening and fasten fan to the ceiling/wall by turning the three screws provided clockwise, thereby engaging the clips located above the ceiling/wall board. Continue turning the screws until all three clips are securely clamped down onto the ceiling/wall board. Do not over-tighten.
6. Pull the flexible ductwork through the roof penetration from above. Verify the ductwork is free of debris and trim off excess length. Secure ductwork to roof cap or soffit vent per those units' installation instructions. Secure the roof cap or soffit vent per those units' installation instructions. Verify that the fan unit is free of debris and the fan spins freely. Install grille by inserting springs into the slots located on the fan housing and push up against ceiling. If LED is available, connect the fan motor and LED connectors to their matching pigtail connectors mounted in the motor plate.
7. If reinstalling the LED is needed, install the LED onto grill by pressing plate gently into place until the 4 snaps are fully engaged
8. Squeeze the springs together and place in the slots on the housing.

MOUNTING CLIP LOCATIONS



INSTALLATION EXAMPLE



WARNING

TO REDUCE THE RISK OF FIRE, ELECTRIC SHOCK, OR INJURY TO PERSONS, OBSERVE THE FOLLOWING:

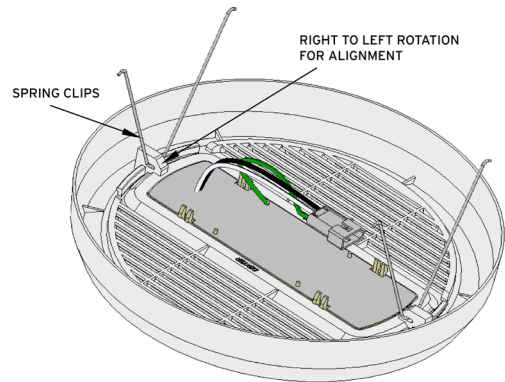
- BEFORE SERVICING OR CLEANING UNIT, SWITCH POWER OFF AT THE SERVICE PANEL AND LOCK SERVICE DISCONNECTING MEANS TO PREVENT POWER FROM BEING SWITCHED ON ACCIDENTALLY.
- WHEN THE SERVICE DISCONNECTING MEANS CANNOT BE LOCKED, SECURELY FASTEN A PROMINENT WARNING DEVICE, SUCH AS A TAG, TO THE SERVICE PANEL.

CARE AND CLEANING

Fan Interior:

1. Disconnect the power.
2. Remove light lens by pressing in and pulling down at the snap locations.
3. Rotate aluminum LED plate counter-clockwise and disconnect the pigtail connection.
4. Pull grille down disengaging the two springs from the housing.
5. Vacuum any accumulated dust and lint from the fan blade, housing interior and motor.
6. Disconnect the motor plug and remove motor plate by pulling in and down on the designated pull-tabs.
7. Wipe the fan blade with a moist cloth or sponge to remove any dirt buildup.
8. Reinstall motor plate making sure it is snapped into place securely and wiring is fully enclosed in the wiring compartment.
9. Reconnect the motor plug.

Inlet Grille and Light Lens: Before replacing grille and light lens, clean with a solution of warm water and mild detergent applied with a soft cloth or sponge. Do not use gritty or abrasive cleaners. Aluminum LED plate may be wiped down with a soft cloth making sure not to disrupt the LED light components.



V3302 LIGHTED VENT FAN CEILING INSERT



CONFORM TO UL STD 507,
CERT TO CSA STD C22.2
NO. 113

