



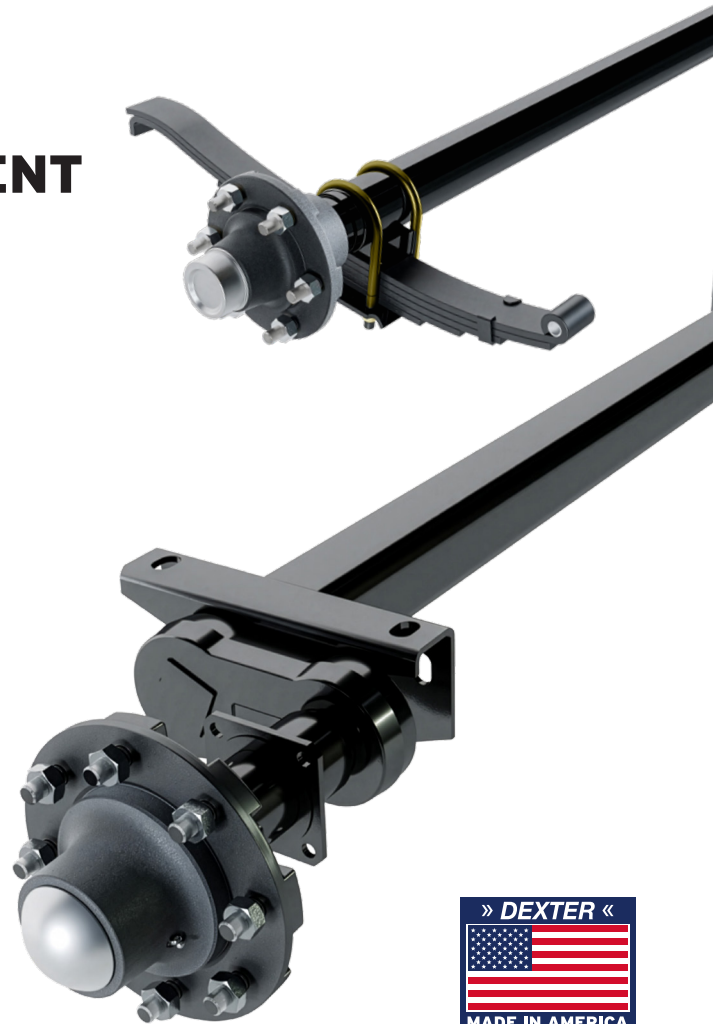
# AGRICULTURAL AXLES & COMPONENTS

## ENGINEERED FOR FIELD PERFORMANCE.



### COMPLETE AXLE SOLUTIONS FOR AGRICULTURAL EQUIPMENT

- » Designed for demanding agricultural applications from 7K-12K capacities
- » Available in sprung and Torflex® configurations for flexible equipment design
- » Precision-machined spindles and cast iron hub-drums for long service life
- » Optimized bolt-on solutions for medium-duty agricultural equipment
- » Brake wiring routed inside axle tube for added protection in harsh environments
- » Dexter Genuine brakes and hub-drums for trusted performance
- » American-made components, with most parts manufactured in-house



Explore Dexter's Agricultural Solutions  
[dextergroup.com/agriculture](https://dextergroup.com/agriculture)



# AXLE CONFIGURATIONS

TORFLEX AXLES						
MODEL	SPINDLE	BRAKE OPTIONS	BOLT PATTERN	STUD	OVERHANG	
					MIN	MAX
<b>#12AG</b> » 7,000 lbs. » 5" Arm Center	35-6D	Idler Only	6 on 6.0"	1/2"-20 Tapped	14.00"	30.50"
	35-6F	Idler Only		9/16"-18 Studded		
	...	12" x 2" Elec. or Hyd.		9/16"-18 Tapped	15.50"	30.50"
<b>#13AG</b> » 8,000 lbs. » 6" Arm Center	60-8B	Idler	8 on 8.0"	5/8"-18 Studded	22.00"	43.00"
		12-1/4" x 3-3/8" Elec & Hyd.				
		13" x 2-1/2" Hyd.				
<b>#13HAG</b> » 10,000 lbs. » 6" Arm Center	60-8B	Idler	8 on 8.0"	5/8"-18 Studded	22.00"	43.00"
		12-1/4" x 3-3/8" Elec & Hyd.				
	819B	13" x 2-1/2" Hyd.				
<b>#14HAG</b> » 14,000 lbs. » 6" Arm Center	80-8B	13" x 2-1/2" Hyd.	8 on 8.0"	5/8"-18 Studded	24.82"	24.82"

SPRUNG AXLES						
MODEL	SPINDLE	BRAKE OPTIONS	BOLT PATTERN	STUD	OVERHANG	
					MIN	MAX
<b>D70AG</b> » 7,000 lbs.	...	Idler Only	6 on 6.0"	9/16"-18 Studded	12.75"	18.00"
	...	12" x 2" Elec.		9/16"-18 Tapped		
<b>D100AG</b> » 10,000 lbs.	60-8B	Idler	8 on 8.0"	5/8"-18 Studded	24.55"	49.00"
		12-1/4" x 3-3/8" Elec & Hyd.				
		13" x 2-1/2" Hyd.				
<b>D120AG</b> » 12,000 lbs.	60-8B	Idler	8 on 8.0"	5/8"-18 Studded	24.55"	43.25"
		12-1/4" x 3-3/8" Elec & Hyd.				
	819B	13" x 2-1/2" Hyd.				

# SERVICE PARTS & KITS

			HUB KIT	
MODEL	COMPONENTS	QTY	008-424-90	008-423-90
#12AG	Spindle		35-6D	35-6F
	Hub, 7K AG, 6 on 6.0, 1/2"-20, Tapped	1	008-424-04	008-423-04
	Bearing Cone (25580)	1	031-030-02	...
	Bearing Cone (LM67048)	1	031-032-02	031-032-02
	Bearing Cone (LM501349)	1	...	031-075-02
	Grease Seal, Double Lip	1	010-036-00	010-162-00
	Grease Cap	1	021-001-00	021-089-00
	Cone Nuts	6	...	006-060-00
	Wheel Bolts	6	007-279-00	...

			HUB KIT		HUB & DRUM KIT
MODEL	COMPONENTS	QTY	K08-213-9F	K08-213-91	008-201-9D
#12AG #70AG	Hub, 6K AG, 6 on 6.0 9/16"-18 Tapped	1	008-213-08	...	008-201-14
	Hub, 6K AG, 6 on 6.0 9/16" Studded Pre-greased	1	...	008-213-26	...
	Bearing Cone (25580)	1	031-030-02	031-030-02	031-030-02
	Bearing Cone (LM67048)	1	031-032-02	031-032-02	031-032-02
	Grease Seal, Double Lip	1	010-036-00	010-036-00	010-036-00
	Grease Cap	1	021-001-00	...	021-001-00
	Grease Cap, EZ-Lube	1	...	021-042-01	...
	Rubber Plug	1	...	085-001-00	...
	Wheel Bolts	6	007-084-00	...	007-084-00
	Cone Nuts	6	...	006-060-00	...
	Nut Retainer	1	...	009-190-00	...
	Hex Jam Nut	1	...	006-191-00	...

			HUB KIT	HUB & DRUM KIT	
MODELS	COMPONENTS	QTY	008-409-90	008-409-92	008-409-93
#13AG #13HAG #14HAG D100AG D120AG	Spindle		60-8B		
	Hub, 10K AG, 8 on 8.0 5/8"-18, Studded	1	008-409-04	008-409-04	008-409-04
	Drum, 12-1/4" x 3-3/8"	1	...	009-115-03	...
	Drum, 13" x 2-1/2"	1	...	...	009-128-03
	Bearing Cone (LM501349)	1	031-075-02	031-075-02	031-075-02
	Bearing Cone (JLM506849)	1	031-076-02	031-076-02	031-076-02
	Grease Seal, Double Lip	1	010-164-00	010-164-00	010-164-00
	Grease Cap	1	021-081-00	021-081-00	021-081-00
	Cone Nuts	8	006-109-00	006-109-00	006-109-00
	Drum Mounting Screws	8	...	007-277-00	007-277-00
Grease Zerk	1	...	007-278-00	007-278-00	

# AXLE BRAKE OPTIONS

BRAKE OPTIONS FOR AGRICULTURAL AXLES				
MODELS	BRAKE SIZE	TYPE	FEATURES	PART NO. (LH/RH)
<b>D70AG</b> <b>#12AG</b>	12" x 2"	Electric	Manual Adjust	K23-180-00 / K23-181-00
			Nev-R-Adjust®	K23-464-00 / K23-465-00
		Hydraulic	Duo-Servo, Parking Brake	K23-332-00 / K23-333-00
			Uni-Servo, Parking Brake	K23-334-00 / K23-335-00
			Free-Backing, Parking Brake	K23-340-00 / K23-341-00
			Free Backing	K23-342-00 / K23-343-00
<b>#13HAG</b> <b>D100AG</b> <b>D120AG</b>	12-1/4" x 3-3/8"	Electric	Self-Adjust, Cast Backing Plate	K23-450-00 / K23-451-00
			Self-Adjust, Cast Backing Plate, 33" Leads	023-450-01 / 023-451-01
		Hydraulic	Duo-Servo, Reverse Self-Adjusting, Parking Brake	K23-210-00 / K23-211-00
			Uni-Servo, Manual Adjust, Parking Brake	K23-234-00 / K23-235-00
			Duo-Servo, Manual Adjust	K23-396-00 / K23-395-00
			Duo-Servo, Forward Self-Adjusting	K23-410-00 / K23-411-00
			Uni-Servo, Forward Self-Adjusting	K23-412-00 / K23-413-00
<b>#13AG</b> <b>#13HAG</b> <b>#14HAG</b> <b>D120AG</b>	13" x 2-1/2"	Hydraulic	Manual Adjust, Free-Backing	023-586-00 / 023-587-00