



INSTALLATION INSTRUCTIONS

Ventadome Non Powered Model: V3092; 12VDC Powered Model: V3094

CAUTION

For general ventilating use only. Do not use to exhaust hazardous or explosive materials or vapors.

Do not allow insulation, ceiling finishing materials, roofing materials, or other debris to enter the fan area. Motor failures due to debris are not subject to warranty coverage.

CAUTION

This fan unit has not been evaluated for suitability for installation over tub or shower.

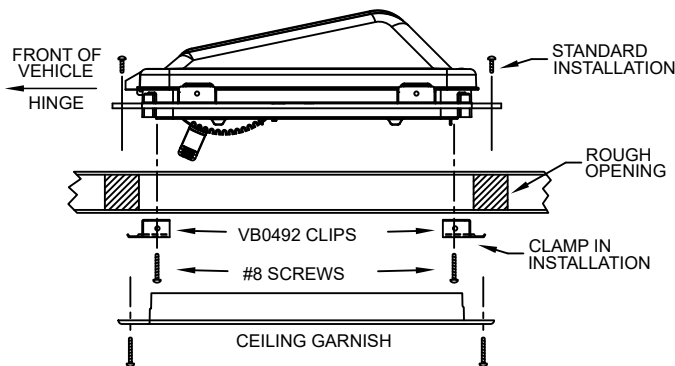
This fan unit is not intended for direct installation over range cooking surfaces.

WARNING

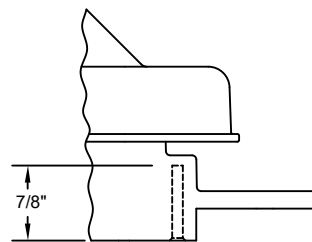
Not suitable for use with solid state speed controls.
AVERTISSEMENT: Ne Convient Pas A Des Regulateurs De Vitesse A Semi-Conducteurs

1. Locate ceiling joists, mark desired location between joists on ceiling and roof. Cut 14-1/4" square opening through ceiling and roof.
2. Place sealant around bottom edge of roof mounting flange. Orient the vent so the hinge is towards the vehicle front and insert vent into the opening with the screen frame extending through the roof cavity.
For standard installation: Mount vent to roof with appropriate screws of sufficient length through the mounting holes in the flange (#8 or #10 recommended).
For clamp-in installation: From the inside, install the four (4) VB0492 clips (ordered separately) into the corners using appropriate length #8 screws designed for use on plastic (ref hi-lo type thread). Tighten screws until clips pull the vent flange down against exterior roof providing a water tight seal; be careful not to over tighten. Apply a bead of caulk or uncured rubber around the perimeter of roof flange after installation is complete.
3. On powered vents, remove screen frame and wiring compartment cover if present. Make all electrical connections in accordance with local and/or applicable codes (see wiring diagram below). Replace wiring compartment cover and screen frame.
4. Verify that the fan unit is free of debris and that the fan spins freely. Place ceiling garnish trim collar portion into groove around the screen frame. Drive #8 screws (max.) through the mounting holes and tighten to ceiling. Be careful not to over tighten and distort garnish.

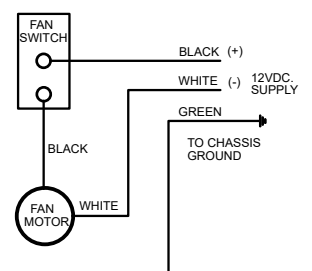
CUT AWAY VIEW OF ROOF INSTALLATION



HOLE DEPTH FOR CLAMP-IN INSTALLATION



WIRING DIAGRAM V3094



Read and Save These Instructions

WARNING

To reduce the risk of fire, electric shock, or injury to persons, observe the following:

- **Use this unit only in the manner intended by the manufacturer. If you have questions, contact the manufacturer.**
- **Before servicing or cleaning unit, switch power off at the service panel and lock service disconnecting means to prevent power from being switched on accidentally. When the service disconnecting means cannot be locked, securely fasten a prominent warning device, such as a tag, to the service panel.**

Care and Cleaning

Fan interior: After disconnecting power, remove the garnish trim and screen frame to gain access to the motor and fan blade. Vacuum any accumulated dust and lint from the fan blade, housing interior and motor. Wipe the fan blade with a moist cloth or sponge to remove any dirt buildup.

Inlet screen: Before replacing screen and garnish trim, clean with a solution of warm water and mild detergent applied with a soft cloth or sponge. Do not use gritty or abrasive cleaners.